

Heating Flanges



Characteristics

Quick, safe and easy to fit
Sealed, silicone-insulated heating element
Metal earthing braid
230 V as standard

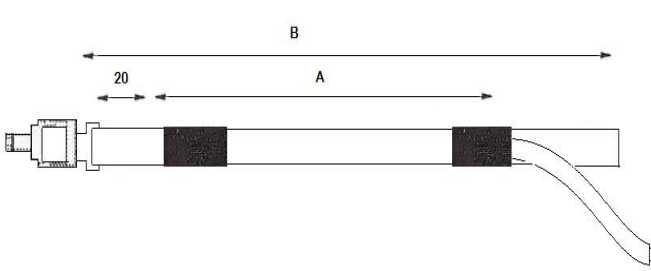
Applications

These heating belts are fitted to refrigerating compressors to prevent the coolant from being absorbed by the oil. The lower the temperature, the quicker and the more complete the absorption, which can seriously damage the compressor, especially when starting up, through lack of lubrication.

Technical Features

Heating wire	Nickel-Copper or Nickel-Chrome
Heating element insulation	Silicone elastomers Ø4mm
Length of power cable	1 m
Insulation resistance	100 MΩ mi, 2500 V
Tolerance	Power ± 5%
Certificates	CE Certificate and Rohs Declaration

Standard Heating Flanges					
Watts	A	B	Dimension mm		Weight Kg
			Ø Min.	Ø Max.	
45 W	300	500	Ø 100	Ø 150	0.14
35 W	350	550	Ø 120	Ø 170	0.15
45 W	450	750	Ø 150	Ø 230	0.17
60 W	500	1000	Ø 165	Ø 310	0.20
55 W	550	900	Ø 180	Ø 280	0.18
65 W	750	1050	Ø 245	Ø 330	0.19



Resistencias y Cableados Juez (Spain)

Tel- (34) 948310529

www.resistenciasycableadosjuez.es

info@resistenciasycableadosjuez.es